

L7-T

CUT > SHAPE > FOCUS > TUNE UNIQUE LED LIGHTS WITH TRUE FRESNEL PERFORMANCE

The ARRI L-Series has launched with an LED Fresnel fixture so close to its conventional equivalent in function and performance that it creates a previously unattainable opportunity: like-for-like replacement of traditional Fresnels with LED-based units.

The L7-T is the first LED fixture to truly incorporate the Fresnel characteristics of continuous focusability from spot to flood and a smooth, homogenous light field.

Light emitted from the L7 is specifically calibrated for optimal reproduction on broadcast and digital cinema cameras, ensuring pleasing skin tones and vividly rendered colors.

Familiar but Revolutionary

Quality of light begins with the field. Smooth intensity, uniform color, even illumination: all are traits shared by the L7 and conventional ARRI Fresnels. Since Fresnels are workhorses of the lighting industry, designers and technicians now have nothing new to learn in order to use LED technology.

Focusability: Spot > Flood > Anywhere In-Between

Versatility is the key element in traditional Fresnels, especially the ability to spot and flood the beam as needed. Whether it's a flood field for a pullback shot or a tight spot for a bright highlight, the continuous focusability of the L7 performs just as expected.

Versatile and Controllable Beam

Shaping the beam to isolate talent and set elements. Cutting the field to eliminate spill light. Controllability is crucial to lighting, and the L7 provides the same ability as conventional Fresnels to cut and shape with barndoors and flags. The only part missing is the heat: the L7 features a completely cool light beam, keeping talent comfortable and air conditioning costs low.



HANGING versions include the following base configuration:

28 mm Spigot, 1.5 m Cable with Bare Ends,
Integrated 5-Pin DMX In and Thru

POLE-OPERATED versions include the following base configuration:

Pole Operation for Pan, Tilt and Focus,
28 mm Spigot, 1.5 m Cable with Bare Ends,
Integrated 5-Pin DMX In and Thru

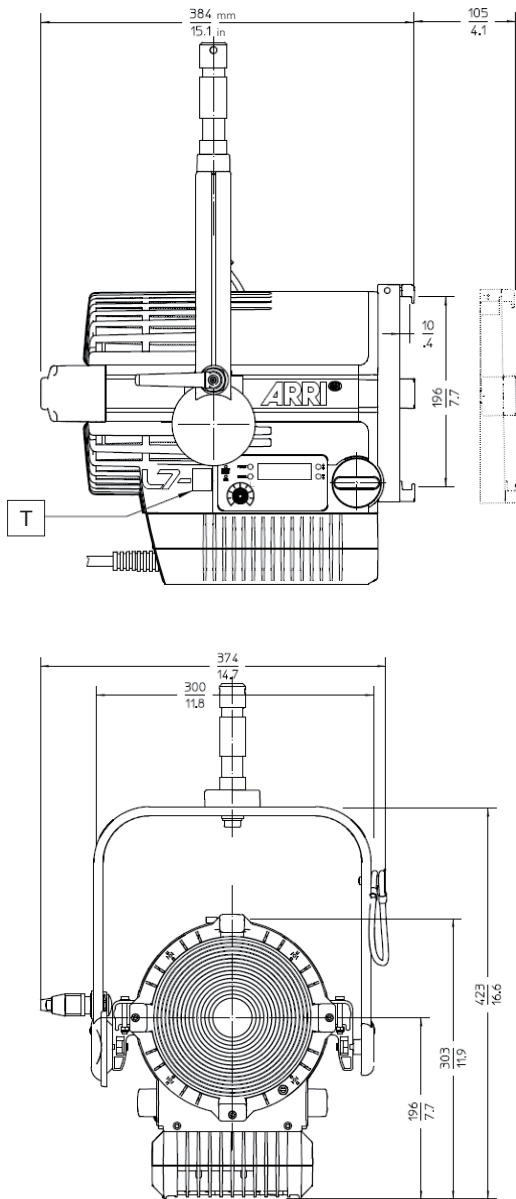
STAND-MOUNT versions include the following base configuration:

28 mm Spigot, 7m Cable w/Inline Switch,
Integrated 5-Pin DMX In and Thru

Order No.	Description
L7 - T	Tungsten Balanced 3200 K LED Fresnel
553506T	L7-T, Hanging, Blue-Silver, with Onboard Controller Side-Panel
553507T	L7-T, Hanging, Black, with Onboard Controller Side-Panel
553508T	L7-T, Pole Operated, Blue-Silver, with Onboard Controller Side-Panel
553509T	L7-T, Pole Operated, Black, with Onboard Controller Side-Panel
553500T	L7-T, Stand-Mount, Blue-Silver, with Onboard Controller Side-Panel, 7m Cable, Edison (American) Connector

Accessories

551115	8-Leaf Barndoors, True Blue, L7 / T1, 197 mm
551110	4-Leaf Barndoors, True Blue, L7 / T1, 197 mm
531120	Filter Frame, L7 / T1, 197 mm
853276	Safety Cable, 600 mm length, 3 mm diameter



Specifications

Optical System	Focusable Fresnel
Lens Diameter	175 mm / 7 inch
Beam Angle	15° - 50° (Half Peak Angle)
Weight	10.9 kg / 24 lb (Hanging / Stand), 12.4 kg / 27 lb (Pole Operation)
Handling	Adjustable Sliding Stirrup, High Strength Tilt Lock, Pole Operation Option (Pan, Tilt and Focus)
Mounting	28 mm Spigot
Tilt Angle	+/- 90°
Power Supply Range	100 - 264V AC, 50-60Hz
Power Consumption	190 W Nominal, 220 W Maximum
Power Connection	Bare Ends / Schuko / Edison Connector
White Light	3200 K
Color Temperature Tolerance	+/- 100 K (nominal)
Color Rendition	CRI 95 (nominal)
Green-Magenta Tolerance	+/- 1/8 (nominal)
Dimming	0 - 100% Continuous
Control	5-Pin DMX In and Through, Optional On-Board Controller, Mini-USB
Remote Device Management (RDM)	DMX Functions, Hour Counter and Standard RDM Commands
Mini-USB Interface	DMX Functions, Fixture Status and Firmware Upgrade Through PC Software
Housing Color	Blue-Silver, Black
Ambient Temperature Operation	0° - 35° C
Protection Class	IP20
Estimated LED Lifetime (L70)	50,000 hours
Estimated Color Shift Over Lifetime	< 200 K
Certifications	CE, GS, FCC

All specifications are nominal / typical values.

Photometric Data (Nominal)

	3 m / 9.8 ft	5 m / 16.4 ft	7 m / 23.0 ft	9 m / 29.5 ft
L7-T (3200 K)				
Spot: 15°	6157 lx / 580 fc	2220 lx / 207 fc	1130 lx / 106 fc	684 lx / 64 fc
Middle: 30°	1810 lx / 169 fc	650 lx / 61 fc	332 lx / 31 fc	201 lx / 19 fc
Flood: 50°	747 lx / 70 fc	269 lx / 25 fc	137 lx / 13 fc	83 lx / 8 fc